

WHEEL LOADER XC938U



EU Stage V/EPA Tier IV

XCMG North America Corporation
5145 Schirlls Street, Las Vegas, NV 89118
Email: info@xcmgusa.com
Phone: (Las Vegas) 725-605-2777
(Houston) 346-409-2855
Web: www.xcmg-usa.com





Technical Specifications

ENGINE

Cummins EU Stage V/ Tier 4 Final emissions certified		
Model	B6.7	
Type	Water-cooled, 4-cycle	
Aspiration	Turbocharged & air-to-air intercooled	
Number of cylinders	6	
Displacement	408 in ³	
SAE J1995	Gross power	99kW
Peak torque	746Nm	
Fuel system	Direct injection	
Air cleaner	Pre-cleaner and dry type with double elements	

TRANSMISSION

ZF counter-shaft transmission, Automatic Power Shift, integrated joystick with FNR and KD(kick-down)		
Torque converter	Single-stage, three-element	
Transmission type	Counter-shaft, Power shift	
Travel speed	Forward Reverse	Reverse
1st	5 mile/h	5 mile/h
2nd	9.38 mile/h	9.38 mile/h
3rd	16.88 mile/h	16.88 mile/h
4th	25 mile/h	
Measured with 20.5R25 tires		

AXLES AND FINAL DRIVES

Model	XCMG Wet Axle	
Drive system	Four-wheel drive	
Front	Fixed,Full-Floating	
Rear	"Fixed on Swing frame,Full-Floating 22° total oscillation"	
Reduction gear	Spiral bevel gear	
Differential gear	Conventional type	
Final reduction gear	Planetary gear, Single reduction	

HYDRAULIC SYSTEM

Steering system	
Hydraulic pump	Piston type
Relief valve setting	16MPa
Number of cylinders	2
Loader system	
Hydraulic pump	Piston type
Relief valve setting	21MPa
Number of boom cylinders	2
Number of bucket cylinders	1
Raise time	4.45s
Dump time	1.5s
Lower time(empty)	3.05s
Total cycle time	≤9s
Controls	Joystick

STEERING SYSTEM

Load-sensing hydraulic articulated steering, the steering system has priority feed from a load-sensing piston pump with variable displacement.	
Type	Articulated type
Steering angle	38°

BRAKES

Service brakes	Wet discs actuate on four wheels
Service brake actuation	Hydraulic
Parking brake type	Manual electrical control
Parking brake actuation	Hydraulic
Cooling	
Fan drive	Hydraulically driven, Automatic reversing



Technical Specifications

CAB

The cab is ROPS & FOPS certified, ROPS/FOPS meet ISO 3471 and ISO 3449

Pressurized cab with lower interior sound level

Adjustable steering column, heated air suspension seat, AM/FM radio, armrest box, and AC with optimized air outlets

Large heated rearview external mirrors with integrated spot mirrors, rear-view camera and mirrors ensure great visibility

High resolution larger color LCD panel, all important informations are located in the panel.

SOUND

The sound values indicated below are for specific operating conditions only. Machine and operator sound levels will vary at different engine and/or cooling fan speeds. Hearing protection may be needed when the machine is operated with a cab that is not properly maintained, or when the doors and/or windows are open for extended periods or in a noisy environment

Operator Sound Pressure level according to ISO 6396-2008	72db
--	------

Exterior Sound Power level according to ISO 6395-2008	104db
---	-------

Heating capacity	> 6500W
------------------	---------

Air conditioning	> 5000W
------------------	---------

SERVICE REFILL CAPACITIES

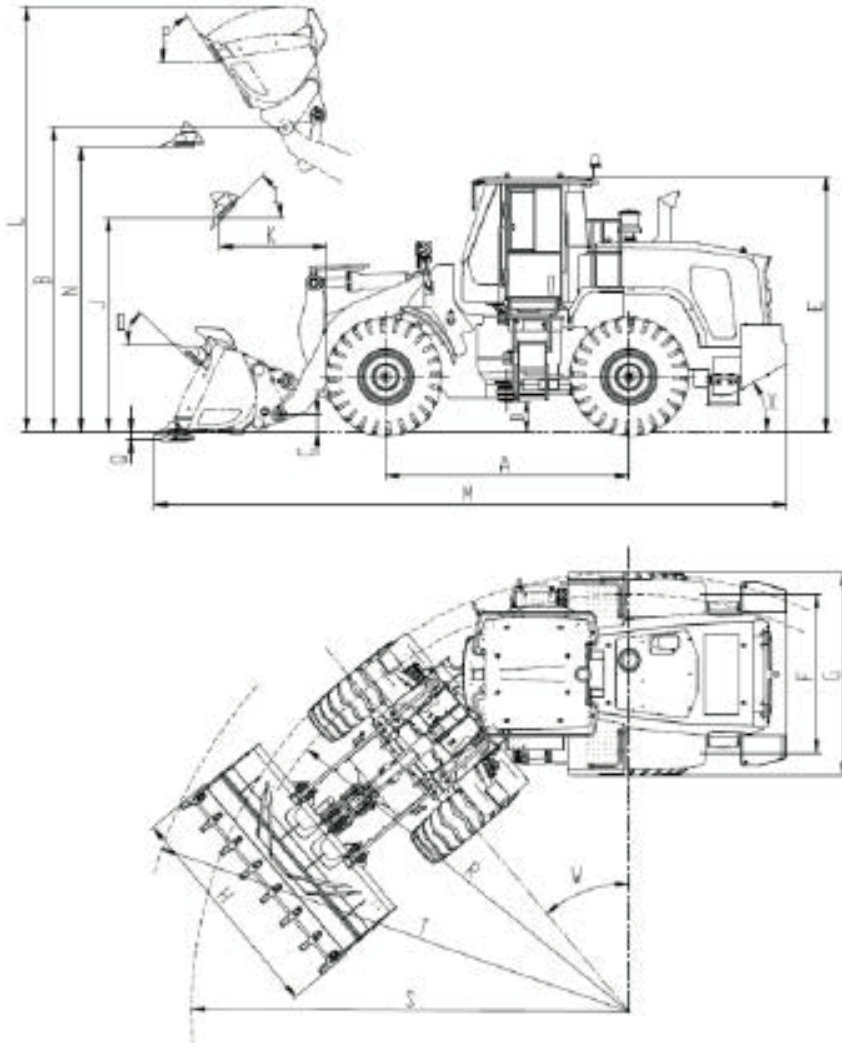
Fuel Tank	58.13 gal
DEF Tank	4.76 gal
Cooling System	6.61 gal
Crankcase	5.28 gal
Transmission	7.93 gal
Differentials and Final Drives-Front	14.51 gal
Differentials and Final Drives-Rear	14.51 gal
Hydraulic Tank	42.27 gal

ELECTRICAL SYSTEM

Voltage	24V
Batteries	6-QAW-180D
Battery capacity	180Ah
Cold cranking capacity	-32 C
Alternator rating	2.2KW
Starter motor output	4.5KW

Technical Specifications

DIMENSIONS



F Tread	6.33ft
G Width over tires	8.04ft
A Wheelbase	9.84ft
B Hinge pin height	12.02ft
D Ground clearance	1.35ft
C Hitch height	1.31ft
E Overall height, ROPS cab	10.89ft

Z-Bar		
Bucket capacity	67.10ft ³	84.76ft ³
H Bucket width	8.14ft	8.37ft
I Maximum dump angle at full height		
J Dump clearance, max height and 45° dump angle	9.64ft	9.35ft
K Reach at max. height and 45° dump angle	3.78ft	4.03ft
L Operating height (fully raised)	17.54ft	17.77ft
M Overall length (bucket on ground)	25.43ft	25.8ft
N Maximum digging depth	0.2ft	0.2ft
O Bucket rollback at ground level		
P Bucket rollback at maximum height		
S Turning radius, outside of tire	18.42ft	18.42ft
R Turning radius, center of tire	17.46ft	17.46ft
T Turning radius, bucket carry	20.57ft	20.57ft
Static tipping load: straight	20233lbf	20233lbf
38° full turn	17535lbf	17535lbf
Breakout force	23605lbf	23605lbf
Operating weight	29762lb	29762lb